

# HP 100

Low Pressure Gas Regulator



**TECHNICAL BROCHURE**

**Pietro Fiorentini S.p.A.**

Via E.Fermi, 8/10 | 36057 Arcugnano, Italy | +39 0444 968 511  
sales@fiorentini.com

The data are not binding. We reserve the right  
to make changes without prior notice.

hp100\_technicalbrochure\_ENG\_revA

**[www.fiorentini.com](http://www.fiorentini.com)**

# Who we are

We are a global organization that specializes in designing and manufacturing technologically advanced solutions for natural gas treatment, transmission and distribution systems.

We are the ideal partner for operators in the Oil & Gas sector, with a business solutions that span the whole natural gas chain.

We are constantly evolving to meet our customers' highest expectations in terms of quality and reliability.

Our aim is to be a step ahead of the competition, with customized technologies and an after-sale service program undertaken with the highest level of professionalism.



## Pietro Fiorentini advantages



Localised technical support



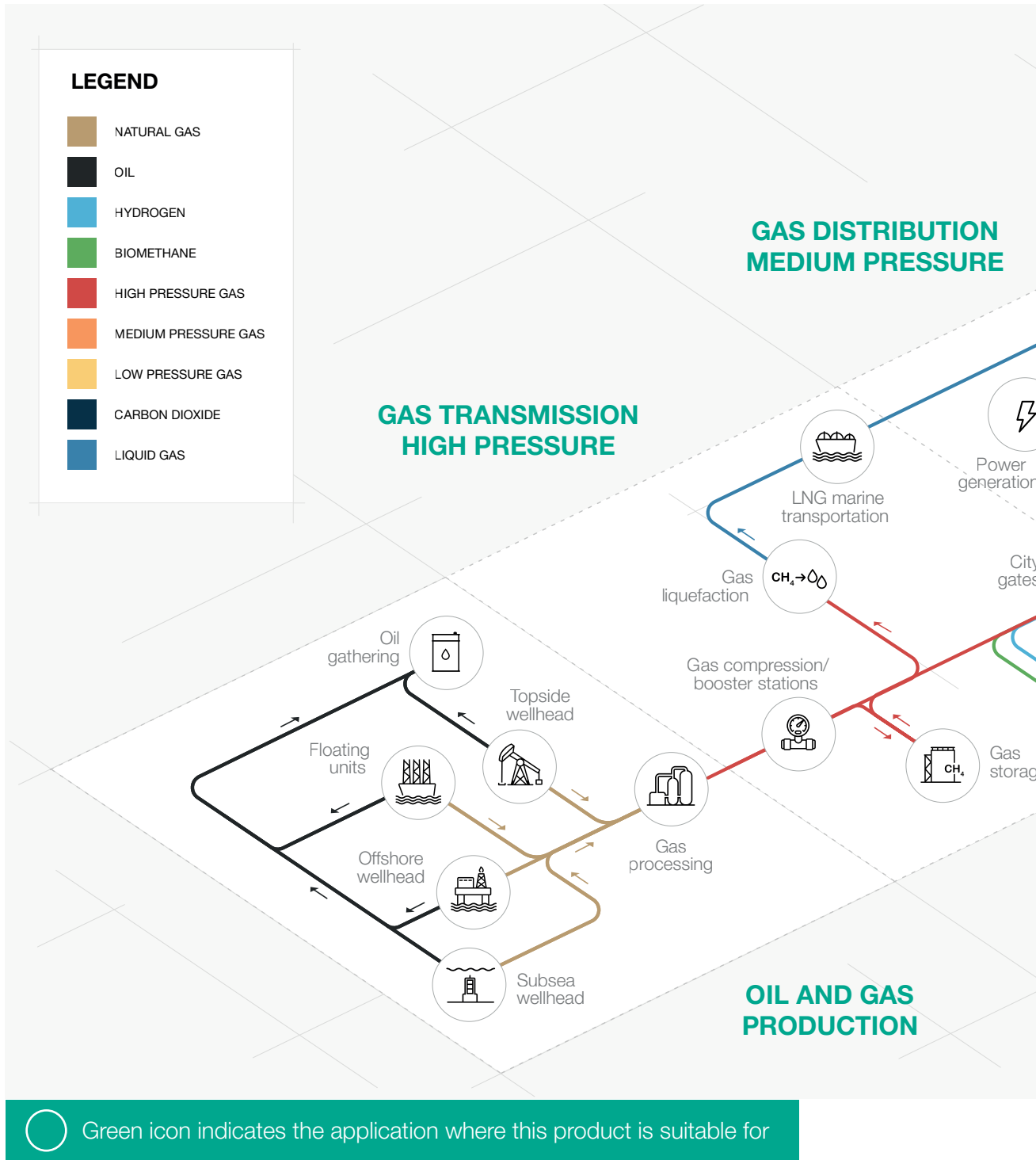
Experience since 1940

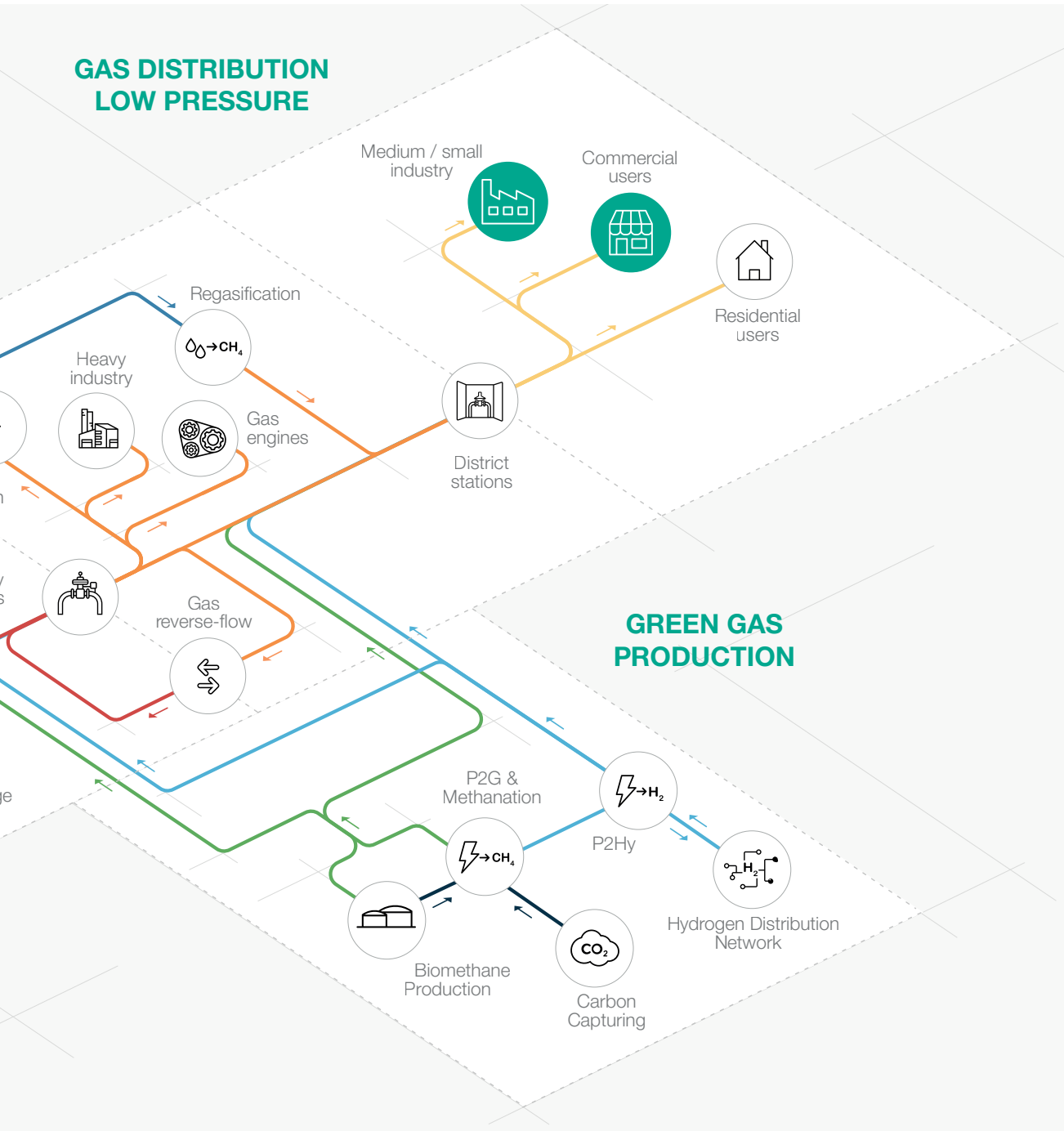


Operating in over 100 countries



# Area of Application





**Figure 1** Area of Application Map



# Introduction

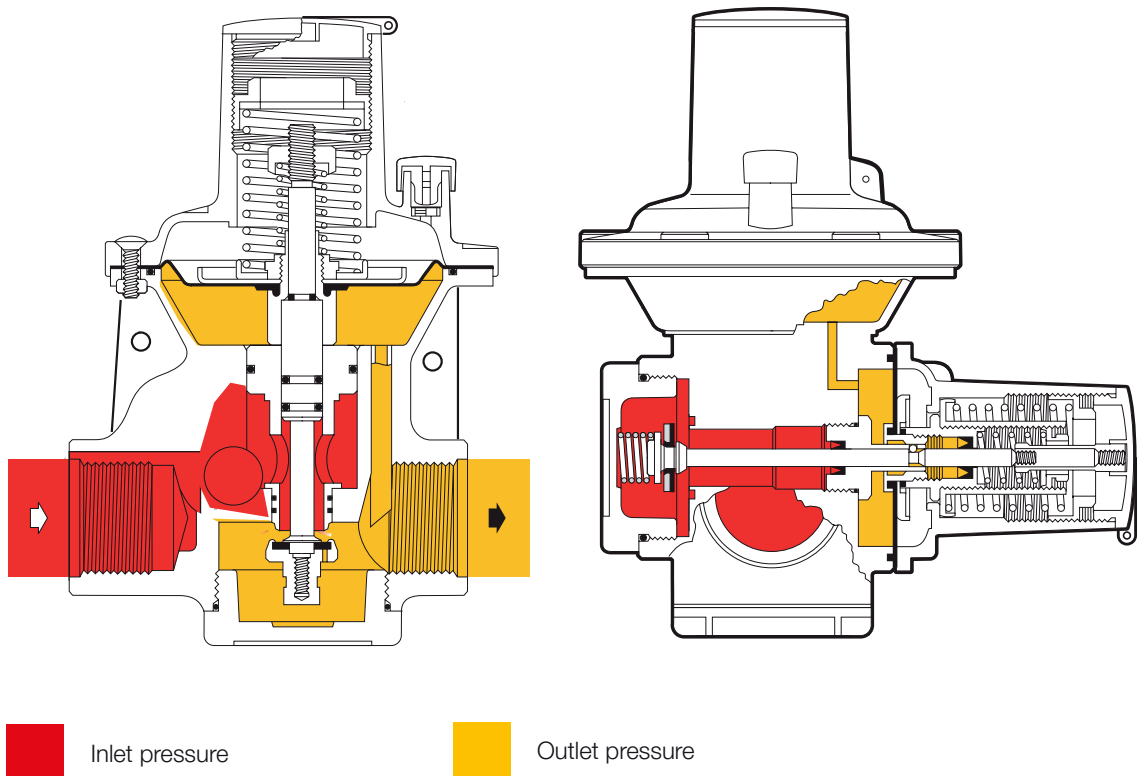
The **HP 100** by Pietro Fiorentini is a **spring loaded** gas pressure regulator controlled by a diaphragm and contrasting regulated spring action.

Mainly used for medium and low pressure natural gas distribution networks, as well as commercial and industrial applications.

It should to be used with previously filtered non-corrosive gases and it has available a specific version for liquefied petroleum gas (LPG).

According to the European Standard EN 334, it is classified as **Fail Open**.

The HP 100 is **Hydrogen Ready** for NG-H2 blending.



**Figure 2** HP 100

# Features and Calibration ranges

The **HP 100** is a **spring loaded** device for medium and low pressure with a unique **dynamic balancing system** which ensures an **outstanding turndown ratio** combined with an extremely **accurate outlet pressure control**.

A balanced pressure regulator it is a pressure regulator where delivery pressure accuracy is not affected by the fluctuation of the inlet pressure and flow during its operation. Therefore, a balanced pressure regulator can have a single orifice for all pressure and flow operating conditions.

This regulator is suitable for use with previously filtered, non-corrosive gases and distribution networks as well as high load industrial applications.

It is a **truly top entry design** which allows an **easy maintenance** of parts directly in the field **without removing the body from the pipework**.

Set point adjustment of the regulator is operated via a spring located in the top chamber.

The modular design of the HP 100 pressure regulators allows to install built-in slam shut valve.



## HP 100 competitive advantages



Balanced type



Top Entry



Operates with high differential pressure



Easy maintenance



High accuracy



Built-in accessories



Fail Open



Biomethane compatible and 20% Hydrogen blending compatible. Higher blending available on request

## Features

Features	Values	
Design pressure* (PS <sup>1</sup> / DP <sup>2</sup> )	up to 2 MPa up to 20 barg	
Ambient temperature* (TS <sup>1</sup> )	from -20 °C to +60 °C from -4 °F to +140 °F	
Inlet gas temperature*	from -20 °C to +60 °C from -4 °F to +140 °F	
Inlet pressure (MAOP / p <sub>umax</sub> <sup>1</sup> )	from 0.1 MPa to 2 MPa from 1 bar to 20 barg	
Range of downstream pressure (Wd <sup>1</sup> )	<ul style="list-style-type: none"> <li>from 20 to 79.9 kPa for AP, from 80 to 450 kPa for AP TR</li> <li>from 200 to 799 mbar for AP, from 800 to 4500 mbar for AP TR</li> </ul>	
Available accessories	Relief valve, slam shut (SSV can not be retrofitted after purchase )	
Minimum operating differential pressure (Δp <sub>min</sub> <sup>1</sup> )	0.05 MPa 0.5 bar	
Accuracy class (AC <sup>1</sup> )	up to 10 (AC 5 available on request)	
Lock-up pressure class (SG <sup>1</sup> )	up to 10	
Nominal size (DN <sup>1,2</sup> )	<b>inline version</b>	1"x1"
	<b>90° version</b>	1"x1" 1/2
Connections	Threaded EN 10226-1 (for all version), NPT ASME B1.20.1 (for inline version only), custom fittings available on request	
<p><sup>(1)</sup> according to EN334 standard  <sup>(2)</sup> according to ISO 23555-1 standard  <sup>(*)</sup> NOTE: Different functional features and/or extended temperature ranges may be available on request. Stated inlet gas temperature range is the maximum for which the equipment's full performance, including accuracy is guaranteed. Product may have a different pressure or temperature ranges according to the version and/or installed accessories.</p>		

**Table 1** Features



# Materials and Approvals

Part	Material
Body	Aluminium
Cover	Aluminium
External treatments	High resistance dust polyurethane coating

**NOTE:** The materials indicated above refer to the standard models. Different materials can be provided according to specific needs.

**Table 2** Materials

## Construction Standards and Approvals

The **HP 100** regulators are designed according to the European standard EN 334. The regulator reacts in opening (Fail Opening) according to EN 334.

The product is certified according to European Directive 2014/68/EU (PED). Leakage class: bubble tight, better than class VIII according to ANSI/FCI 70-3.



EN 334



PED-CE



# Springs ranges and control heads

Control heads pressure ranges			
	Control head AP	Control head AP TR	Spring Table web link
Model	kPa mbar	kPa mbar	
HP 100	30 ÷ 80 300 ÷ 800	80 ÷ 450 800 ÷ 4500	<a href="#">T-00104</a>

**Table 3** Settings table

General link to the calibration tables: [PRESS HERE](#) or use the QR code:



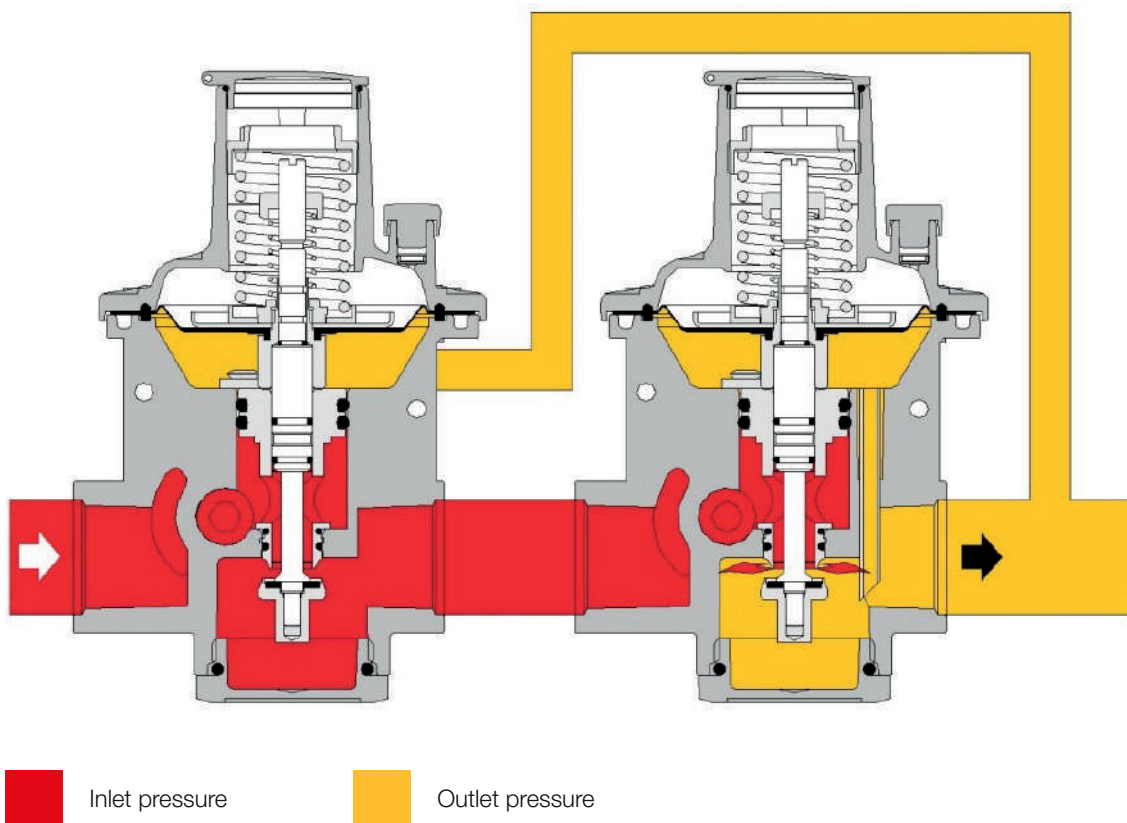
# Accessories

## For the pressure regulators:

- Slam shut valve
- Relief valve

## Monitor configuration

The in-line monitor is generally installed upstream of the active regulator. Although the function of the monitor regulator is different, the two regulators are virtually identical from the point of view of their mechanical components. The only difference is that monitor is set at a higher pressure than active regulator. The Cg coefficients of the worker regulator with an in-line monitor is the same, but during worker regulator sizing it shall be considered the differential pressure drop generated by the fully open in-line monitor. As a practice, to incorporate this effect a Cg reduction of 20% of the worker regulator can be applied.



**Figure 3** HP 100 in-line monitor








## Slam Shut

The HP 100 pressure regulator offers the possibility of installing an **incorporated slam shut valve during the manufacturing process.**

For HP 100/B with the built-in slam shut, the Cg valve coefficients is 5% lower than the corresponding version without.

The main characteristics of this device are:

-  OPSO Overpressure Shut-Off
-  UPSO Underpressure Shut-Off
-  Internal by-pass
-  Compact dimensions
-  Easy maintenance

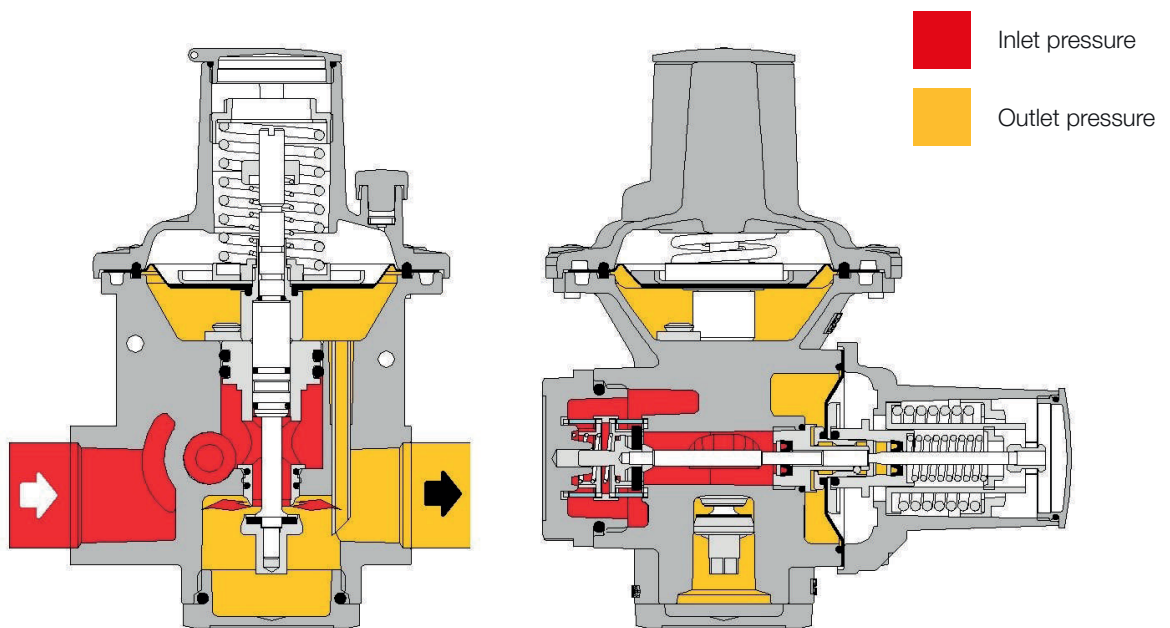


Figure 4 HP 100/B

Pressure switch types and ranges					
SSV Type	Model	Operation	Range Wh		Spring Table web link
			KPa	mbarg	
B	-	OPSO	45 - 70	450 - 7000	T-00104
		UPSO	10 - 300	100 - 3000	

Table 4 Settings table

## Integral strainer (Item 1)

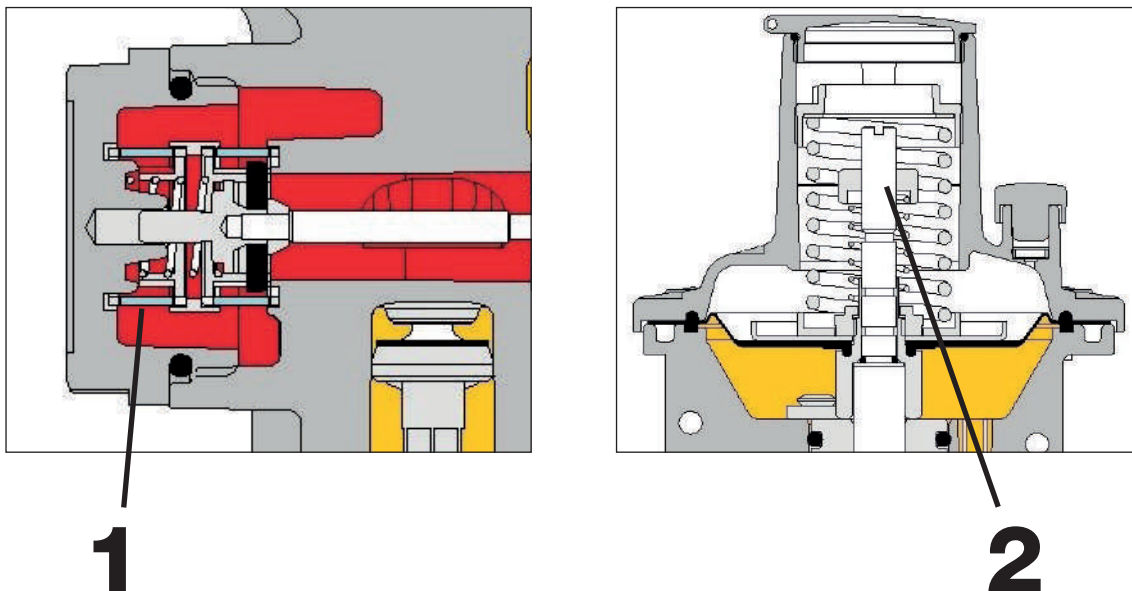
The HP 100 is equipped with internal 100 micron strainer to prevent foreign particles, such as weld slag or PE shavings, to get stucked between orifice and seat/disk thus preventing lockup.

Futhermore, the strainer provides protection to all integral accessories as well as downstream customer's assets.

## Token relief valve (Item 2)

The HP 100 has an optional token relief valve that discharges a small volume of gas to the atmosphere when the regulator exceeds the relief valve set point. Token relief valve cannot be used as overpressure protection device.

During no-flow conditions, thermal expansion of the gas can cause downstream static pressure to build up. The token relief valve will prevent downstream pressure from rising, and if equipped, prevent nuisance tripping of the slam shut valve.

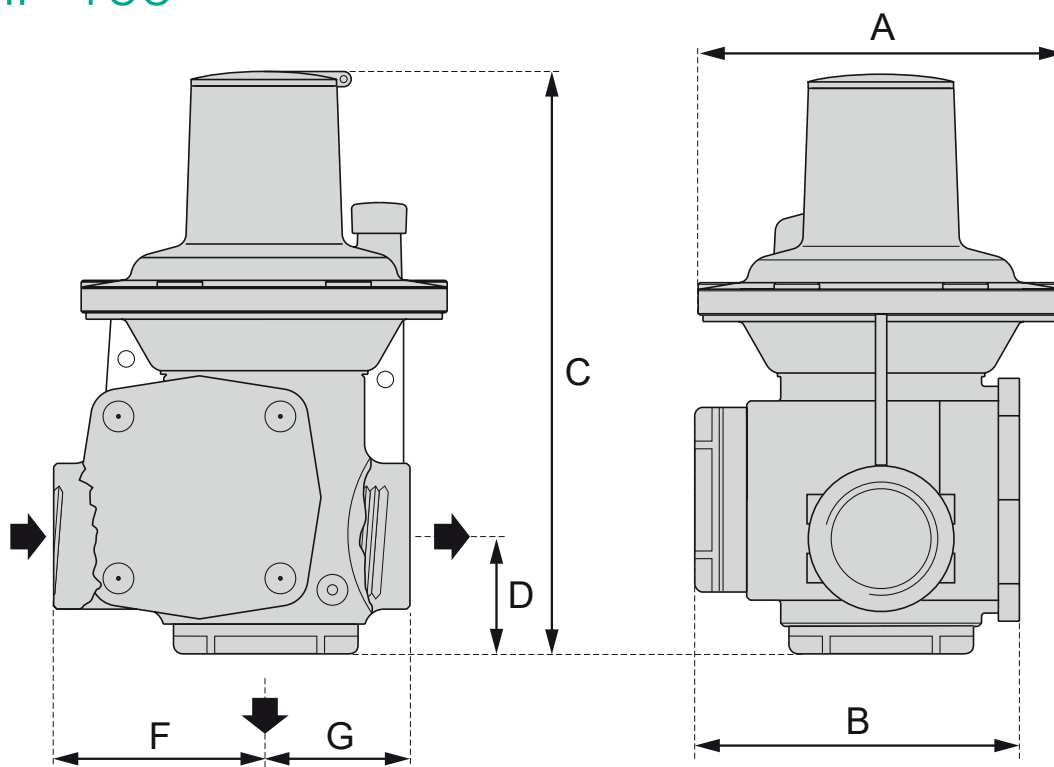


**Figure 5** HP 100 components location



# Weights and Dimensions

## HP 100

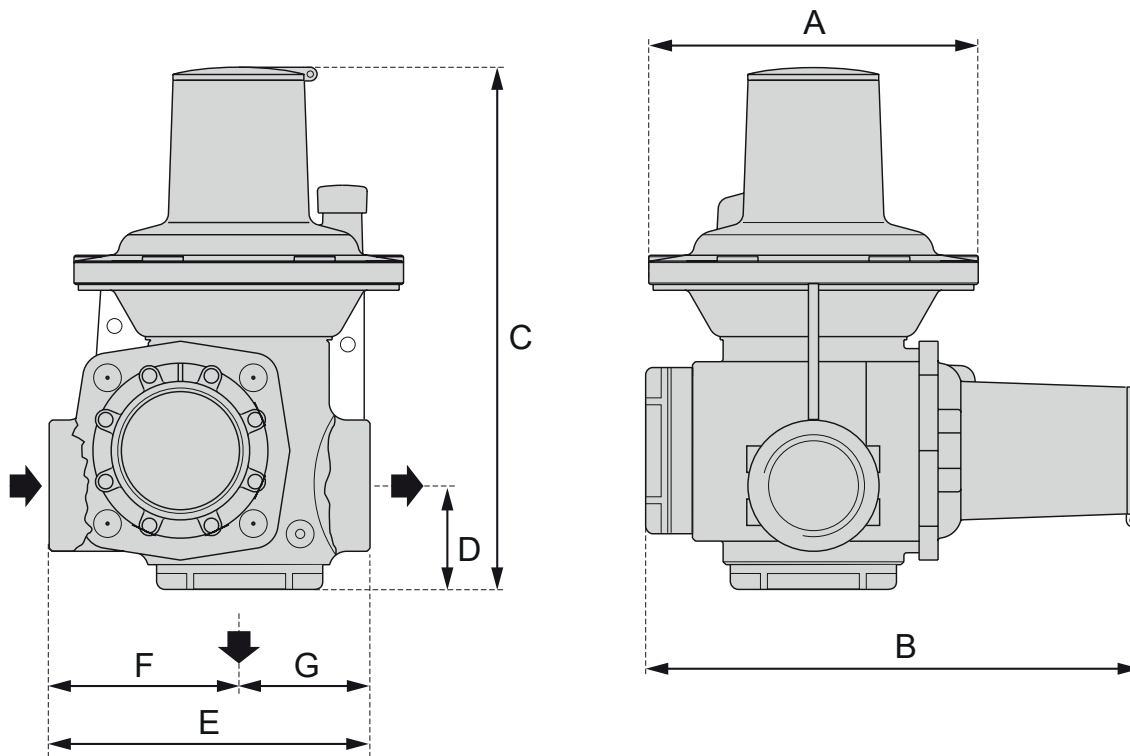


**Figure 6** HP 100 dimensions

Weights and Dimensions (for other connections please contact your closest Pietro Fiorentini representative)		
	[mm]	inches
A	Ø115	Ø4.5"
B	102	4.0"
C	187	7.4"
D	43	1.7"
E	110	4.3"
F	65	2.6"
G	45	1.8"
<b>Weight</b>		
	Kg	lbs
Regulator	1.7	3.7
Regulator + DN25 flange	3.2	7.1
Regulator + DN40 flange (inlet) + DN50 flange (outlet)	5.9	13.0

**Table 5** Weights and dimensions

## HP 100/B



**Figure 7** HP 100/B dimensions

Weights and Dimensions (for other connections please contact your closest Pietro Fiorentini representative)		
	[mm]	inches
A	Ø115	Ø4.5"
B	172	6.8"
C	187	7.4"
D	43	1.7"
E	110	4.3"
F	65	2.6"
G	45	1.8"
<b>Weight</b>		
Regulator	Kg	lbs
Regulator + DN25 flange	1.9	4.2
Regulator + DN40 flange (inlet) + DN50 flange (outlet)	3.5	7.7
	6.1	13.4

**Table 6** Weights and dimensions



# Sizing and Cg

In general, the choice of a regulator is made based on the calculation of the flow rate determined by the use of formulae using the flow rate coefficients (Cg) and the form factor (K1) as indicated by the EN 334 standard. Sizing is available through the on-line Pietro Fiorentini sizing program.

Flow rate coefficient		
Nominal size	25	25 x 40
Inches	1" x 1"	1" x 1" 1/2
Cg	95	95
K1	110	100

**Table 7** Flow rate coefficient

For sizing [PRESS HERE](#) or use the QR code:



**Note:** In case you do not have the proper credentials to access, feel free to contact your closest Pietro Fiorentini representative.

In general the on-line sizing considers multiple variables as the regulator is installed in a system, enabling a better and multiperspective approach to the sizing.

For different gases, and for natural gas with a different relative density other than 0.61 (compared to air), the correction coefficients from the following formula shall be applied.

$$F_c = \sqrt{\frac{175.8}{S \times (273.16 + T)}}$$

S = relative density (refer to Table 8)  
T = gas temperature ( °C )

$$F_c = \sqrt{\frac{316.44}{S \times (459.67 + T)}}$$

S = relative density (refer to Table 8)  
T = gas temperature ( °F )



Correction Factor Fc		
Gas Type	Relative Density S	Correction Factor Fc
Air	1.00	0.78
Propane	1.53	0.63
Butane	2.00	0.55
Nitrogen	0.97	0.79
Oxygen	1.14	0.73
Carbon Dioxide	1.52	0.63

Note: the table shows the Fc correction factors valid for Gas, calculated at a temperature of 15°C and at the declared relative density.

**Table 8** Correction Factor Fc

Flow rate conversion
Stm <sup>3</sup> /h x 0.94795 = Nm <sup>3</sup> /h

Nm<sup>3</sup>/h reference conditions:

T= 0 °C; P= 1 barg | T= 32 °F; P= 14.5 psig

Stm<sup>3</sup>/h reference conditions:

T= 15 °C; P= 1 barg | T= 59 °F; P= 14.5 psig

**Table 9** Flow rate conversion

### CAUTION:

In order to get optimal performance, to avoid premature wear on the regulators components, and to limit noise emissions, it is recommended to check the gas speed and its compliance with local practice and regulations. The gas speed at the outlet flange of the regulator which be calculated by the following formula:

$$V = 345.92 \times \frac{Q}{DN^2} \times \frac{1 - 0.002 \times Pd}{1 + Pd}$$

$$V = 0.0498 \times \frac{Q}{DN^2} \times \frac{14.504 - 0.002 \times Pd}{14.504 + Pd}$$

V = gas speed in m/s

Q = gas flow rate in Stm<sup>3</sup>/h

DN = nominal size of regular in mm

Pd = outlet pressure in barg

V = gas speed in ft/s

Q = gas flow rate in Scfh

DN = nominal size of regular in inches

Pd = outlet pressure in psi



# Flow capacity tables

## HP 100 AP - DN 1"

From 30 kPa [300 mbarg] to 80 kPa [800 mbarg]

HP 100 AP - (accuracy 10% ; AC10 according to EN334)

Inlet pressure		Outlet pressure									
		30 kPa / 300 mbarg		40 kPa / 400 mbarg		50 kPa / 500 mbarg		60 kPa / 600 mbarg		80 kPa / 800 mbarg	
MPa	barg	Stm³/h	Scfh	Stm³/h	Scfh	Stm³/h	Scfh	Stm³/h	Scfh	Stm³/h	Scfh
0.05	0.5	30	1100	-	-	-	-	-	-	-	-
0.10	1.0	55	2000	58	2100	55	2000	52	1900	45	1600
0.20	2.0	98	3500	113	4000	114	4100	116	4100	120	4300
0.50	5.0	159	5700	161	5700	166	5900	170	6100	179	6400
1.00	10.0	158	5600	161	5700	165	5900	170	6100	178	6300
1.50	15.0	158	5600	160	5700	164	5800	169	6000	178	6300
2.00	20.0	157	5600	159	5700	164	5800	168	6000	177	6300

Cg = 95    K1=110

**Table 10** HP 100 AP flow rate with outlet pressure from 30 kPa [300 mbarg] to 80 kPa [800 mbarg]

## HP 100 AP TR - DN 1"

From 80 kPa [800 mbarg] to 0.4 MPa [4 barg]

HP 100 TR - (accuracy 10% ; AC10 according to EN334)

Inlet pressure		Outlet pressure									
		80 kPa / 800 mbarg		0.1 MPa / 1 barg		0.2 MPa / 2 barg		0.3 MPa / 3 barg		0.4 MPa / 4 barg	
MPa	barg	Stm³/h	Scfh	Stm³/h	Scfh	Stm³/h	Scfh	Stm³/h	Scfh	Stm³/h	Scfh
0.08	0.8	-	-	-	-	-	-	-	-	-	-
0.10	1.0	40	1500	-	-	-	-	-	-	-	-
0.20	2.0	96	3400	88	3200	-	-	-	-	-	-
0.50	5.0	239	8500	236	8400	214	7600	172	6100	117	4200
1.00	10.0	238	8500	238	8500	248	8800	258	9200	258	9200
1.50	15.0	237	8400	237	8400	247	8800	257	9100	257	9100
2.00	20.0	236	8400	236	8400	246	8700	256	9100	256	9100

Cg = 95    K1= 110

**Table 11** HP 100 AP TR flow rate with outlet pressure from 80 kPa [800 mbarg] to 0.4 MPa [4 barg]

**Note:** Recommended max flow rate are considering multiple factors such as: extend the regulator's life, mitigate the erosion/vibrations for high velocity and to minimize the noise emission.

**Remark:** all capacity stated are considering a stand alone regulator. In case of incorporated accessories a reduction of flow shall be considered.



**Pietro  
Fiorentini**



# Pietro Fiorentini

**TB0076ENG**



The data are not binding. We reserve the right  
to make changes without prior notice.

[hp100\\_technicalbrochure\\_ENG\\_revA](#)

[www.fiorentini.com](http://www.fiorentini.com)