

Dixi AP

High Medium Pressure Gas Regulator



TECHNICAL BROCHURE

Pietro Fiorentini S.p.A.

Via E.Fermi, 8/10 | 36057 Arcugnano, Italy | +39 0444 968 511
sales@fiorentini.com

The data are not binding. We reserve the right
to make changes without prior notice.

dixiap_technicalbrochure_ENG_revA

www.fiorentini.com

Who we are

We are a global organization specialized in designing and manufacturing technologically advanced solutions for natural gas treatment, transmission and distribution systems.

We are the ideal partner for operators in the Oil & Gas sector, with a business offer that goes across the whole natural gas chain.

We are in constant evolution to meet our customers' highest expectations in terms of quality and reliability.

Our aim is to be a step ahead of the competition, with customized technologies and an after-sale service program undertaken with the highest grade of professionalism.



Pietro Fiorentini advantages



Localised technical support

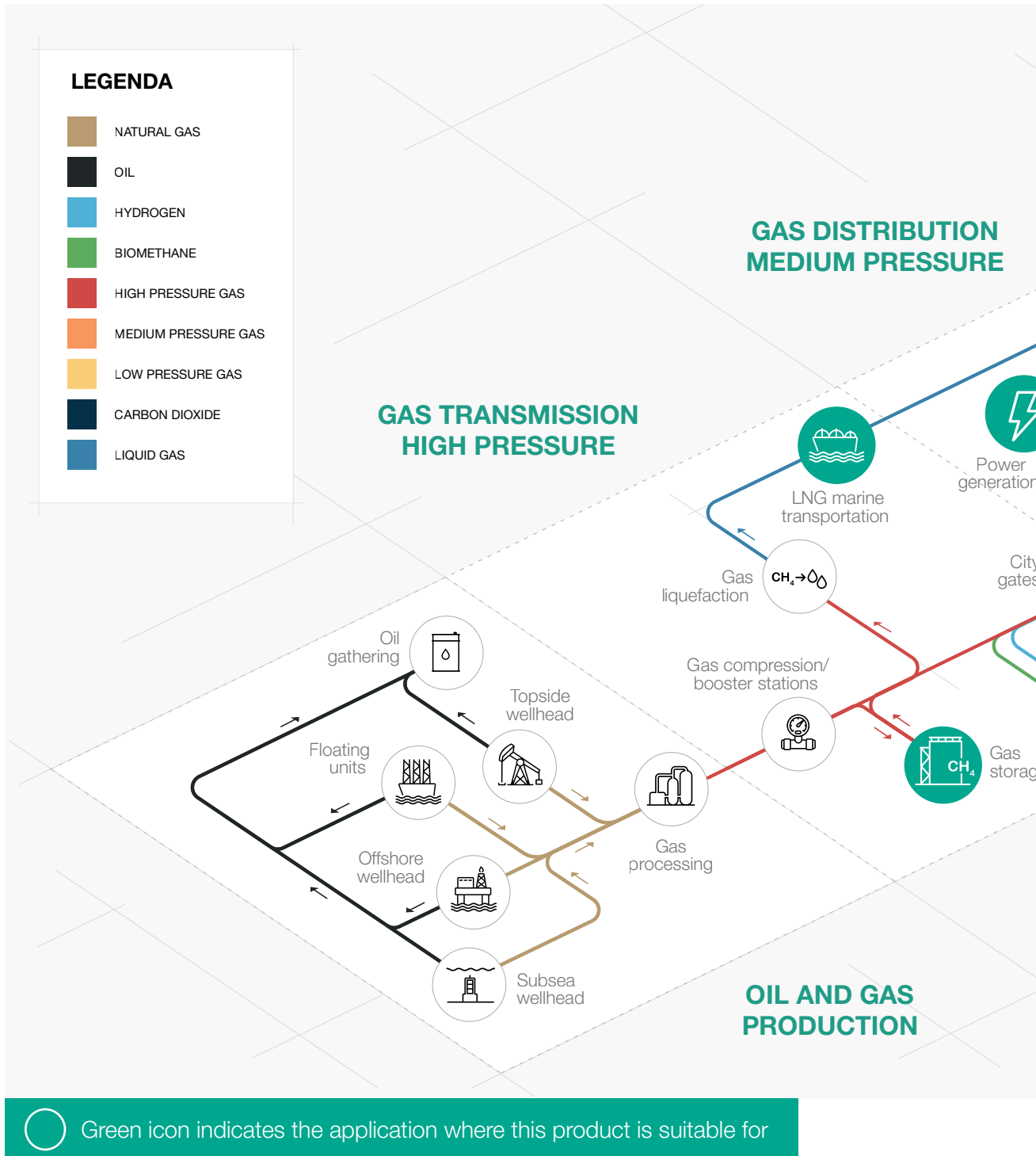


Experience since 1940



We operate in over 100 countries

Area of Application



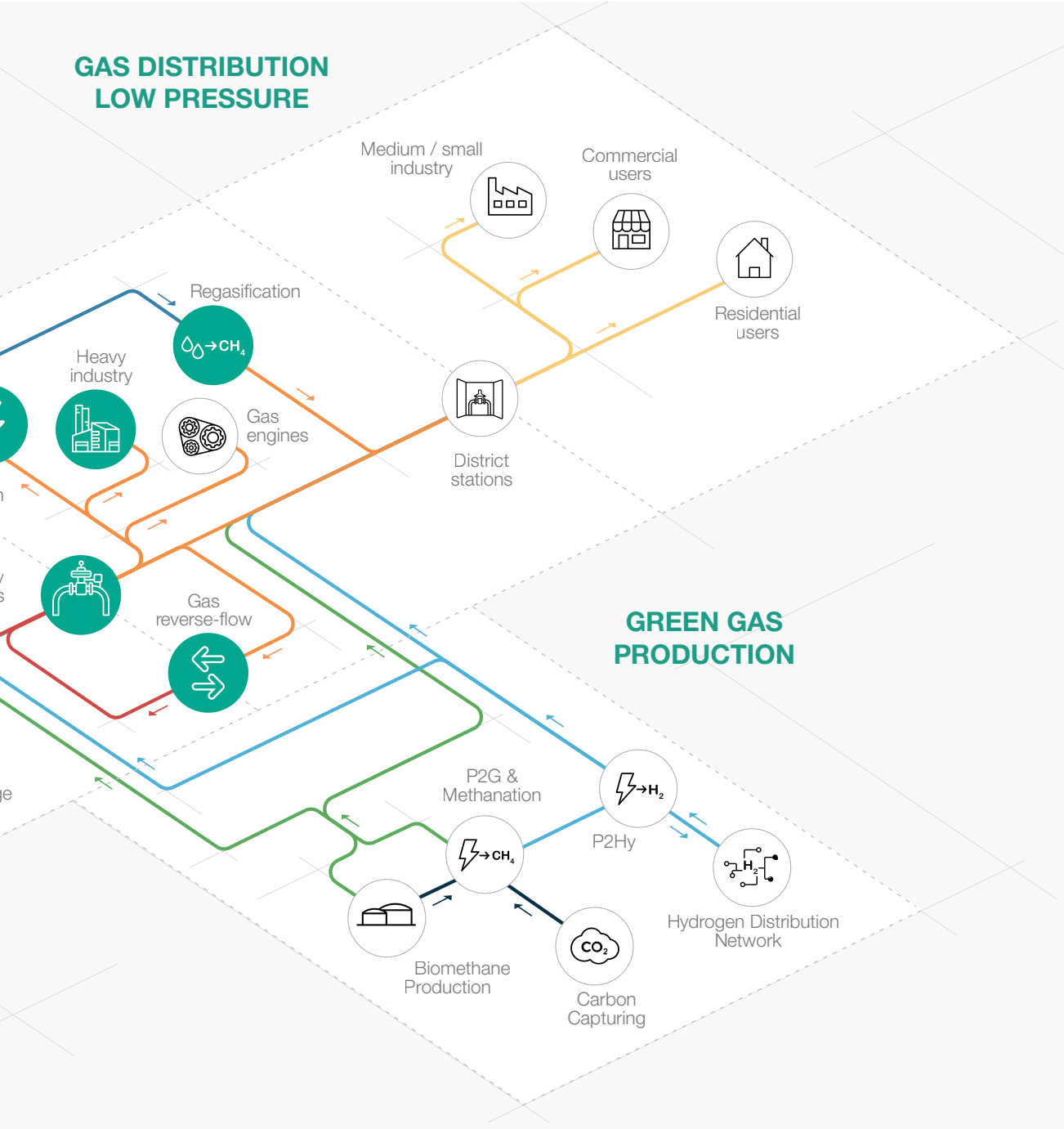


Figure 1 Area of Application Map



Introduction

Dixi AP is one of the **pilot-operated gas pressure regulators** designed and manufactured by Pietro Fiorentini.

This device is suitable for use with previously filtered non-corrosive gases, and it is mainly used for high-pressure transmission systems and for medium pressure natural gas distribution networks.

According to the European Standard EN 334, it is classified as **Fail Close**.

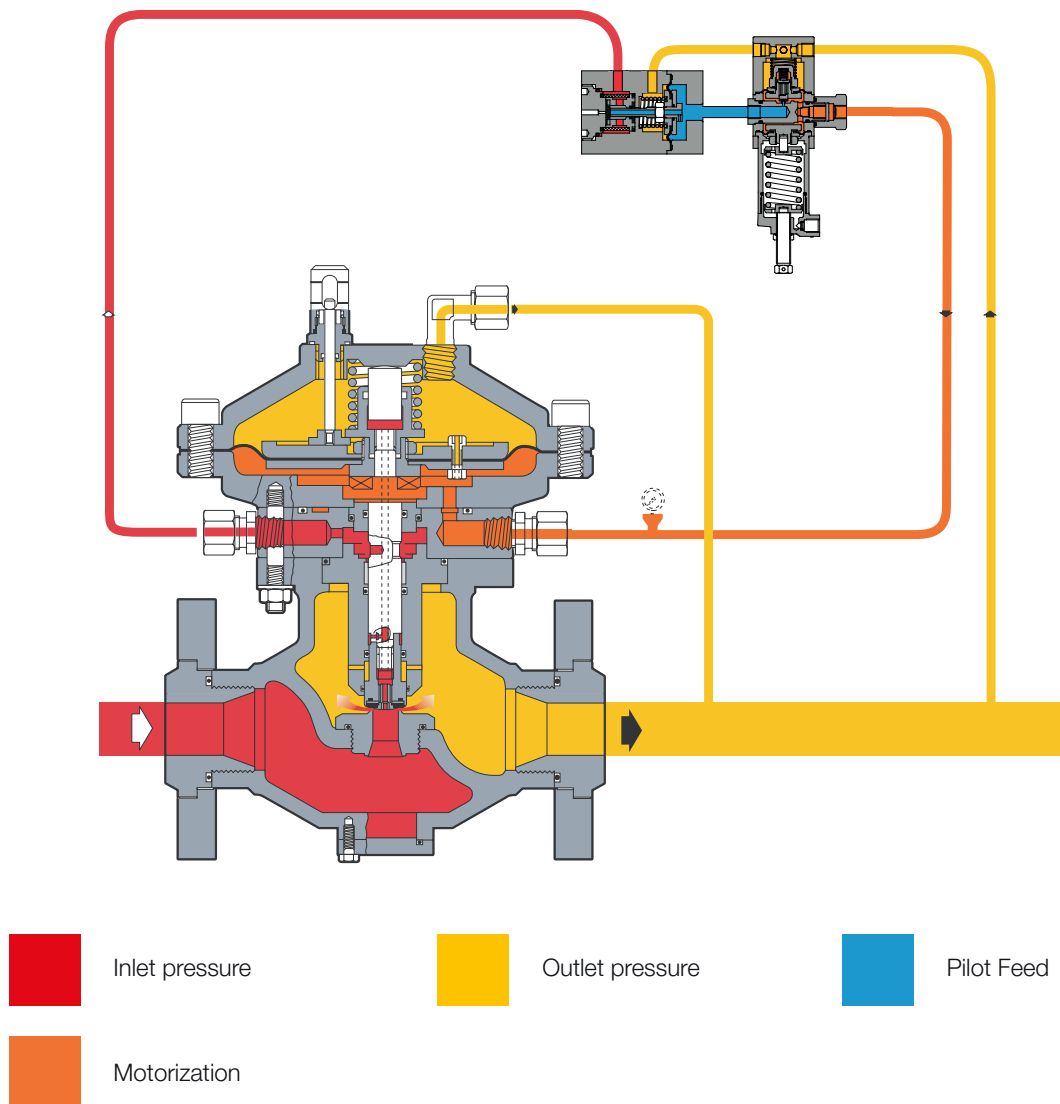


Figure 2 Dixi AP

Features and Calibration ranges

Dixi AP is a **pilot-operated** device for high pressure and medium pressure with a unique **dynamic balancing system** which ensures a **great turn down ratio** combined with an **accurate outlet pressure control**.

Dixi AP is a balanced pressure regulator. This means that the controlled outlet pressure is not affected by variations in the inlet pressure and flow during its operation. Therefore a balanced regulator can have a single-size orifice for all pressure and flow conditions.

This regulator is suitable for use with previously filtered, non corrosive gases, in natural gas transmission, power plants fuel gas skids and distribution networks as well as high load industrial application.

It is a **truly top entry design** which allows **easy maintenance** of parts directly in the field **without removing the body from the pipework**.

Set point adjustment of the regulator is achieved via a pilot, loading and unloading the pressure in the top chamber.

The modular design of Dixi AP pressure regulators allows retrofitting of slam shut valve SB/87 model on the same body.

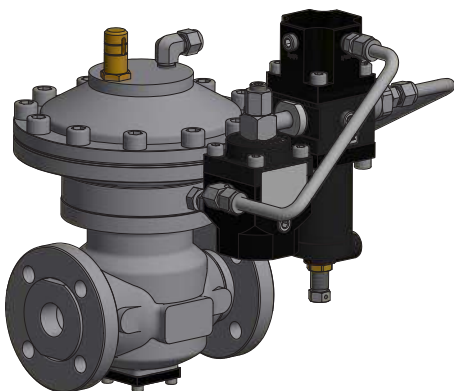


Figure 3 Dixi AP

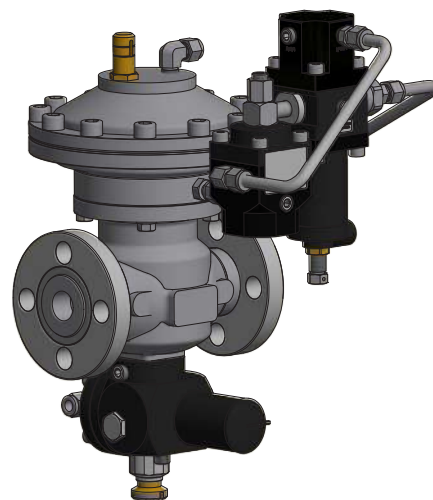


Figure 4 Dixi AP with SB/87 slam shut



Dixi AP competitive advantages



Compact and simple design



High accuracy



High turn-down ratio



Fail Close plug and seat regulator



Built-in pilot filter



Top Entry



Easy maintenance



Built-in accessories



Biomethane compatible and available with specific versions for full Hydrogen or blending



Balanced type

Features

Features	Values
Design pressure*	up to 8.5 MPa up to 85 barg
Ambient temperature*	from -20 °C to +60 °C from -4 °F to +140 °F
Inlet gas temperature range*	from -20 °C to +60 °C from -4 °F to +140 °F
Inlet pressure range bpu (MAOP)	from 0.15 to 8.5 MPa from 1.5 to 85 barg
Range of downstream pressure Wd	from 0.05 to 2.5 MPa from 0.5 to 25 barg
Available Accessories	SB/87 Slam shut
Minimum differential pressure	0.1 MPa 1 barg
Accuracy class AC	up to 2.5 (depending on working conditions)
Lock-up pressure class SG	up to 10 (depending on working conditions)
Nominal dimensions DN	DN 25 / 1"
Connections*	Class 150, 300, 600 RF or RTJ according to ASME B16.5 and PN 16 according to ISO 7005

(*) REMARK: Different functional features and/or extended temperature ranges available on request. Stated temperature ranges are the maximum for which the equipment's full performance, including accuracy, are fulfilled. Standard product may have a narrower range.

Table 1 Features

Materials and Approvals

Part	Material
Body	Cast steel ASTM A352 LCB
Cover	ASTM A350 LF2 Forged steel
Stem	AISI 416 stainless steel
Plug	AISI 416 + Vulcanized rubber
Seat	Stainless steel
Diaphragm	Vulcanized rubber
Sealing ring	Nitrile rubber
Compression fittings	According to DIN 2353 in zinc-plated carbon steel. Stainless steel on request

REMARK: The materials indicated above refer to the standard models. Different materials can be provided according to specific needs.

Table 2 Materials

Construction Standards and Approvals

Dixi AP regulator is designed according to European standard EN 334.
The regulator reacts in opening (Fail Close) according to EN 334.

The product is certified according to European Directive 2014/68/EU (PED).
Leakage class: bubble tight, better than VIII according to ANSI/FCI 70-3.



EN 334



PED-CE



Pilot ranges and types

Type	Model	Operation	Range Wh		Spring Table web link
			MPa	barg	
Main pilot	204/A	Manual	0.03 - 2.5	0.3 - 25	TT 433

Table 3 Settings Table

Types of pilot adjustment	
Pilot type .../A	Manual setting
Pilot type .../D	Electric remote control setting
Pilot type .../CS	Pneumatic remote control setting
Pilot type .../FIO	Smart unit for remote setting, monitoring, flow limitation

Table 4 Pilot adjustment table

General link to the calibration tables: [PRESS HERE](#) or use the QR code:



Accessories

For the pressure regulators:

- Cg limiter
- Limit switches
- Position transmitter
- Slam shut valve

For the pilot circuit:

- R14/A/S preregulator for the high pressure circuit (differential pressure > 3.5 MPa | 35 barg)
- Heating cable for preheating pilot circuit
- Electrical heater PPH200
- Supplementary filter CF14 or CF14/D
- ATF 15 antifreeze

In-line Monitor

The in-line monitor is generally installed upstream of the active regulator.

Although the function of the monitor regulator is different, the two regulators are virtually identical from the point of view of their mechanical components.

The only difference is that monitor is set at a higher pressure than active regulator.

The Cg coefficient of the active regulator is the same, however during the sizing process, the differential pressure drop generated by the fully open in-line monitor shall be considered. As a general practise to incorporate this effect, a 20% reduction of the Active regulator's Cg value can be applied.

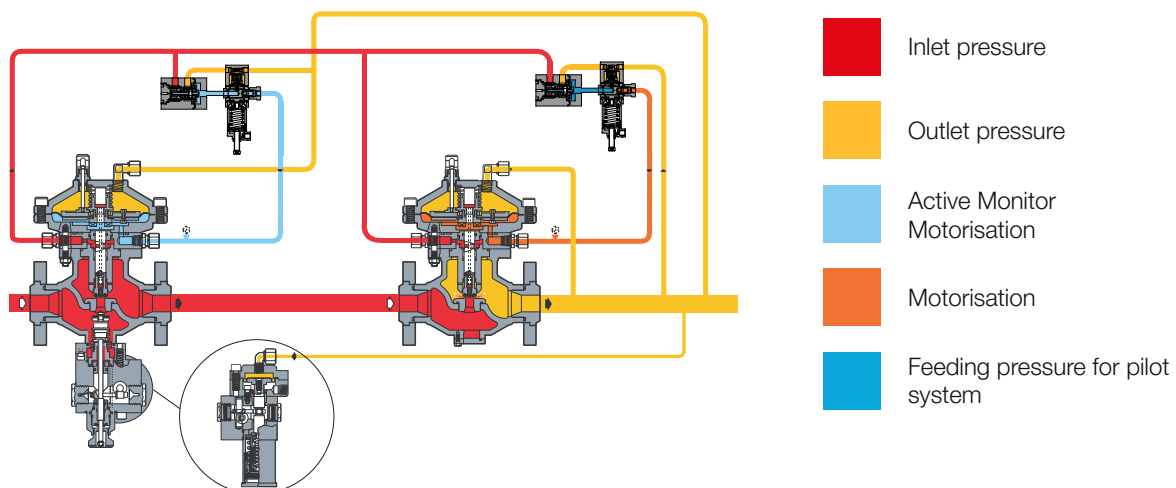


Figure 5 Dixi AP with In-line monitor setup










SB/87 slam shut

The Dixi AP pressure regulator offers the possibility of installing an **SB/87 incorporated slam shut valve**, and this can be done either during the manufacturing process or be retrofitted in the field.

Retrofitting can be done without modifying the pressure regulator assembly.

With the built-in slam shut, the Cg valve coefficients is 5% lower than the corresponding version without.

The main characteristics of this device are:

-  OPSO Over Pressure Shut-Off
-  UPSO Under Pressure Shut-Off
-  Internal by-pass
-  Compact dimensions
-  Easy maintenance
-  Remote tripping option
-  Limit switch option

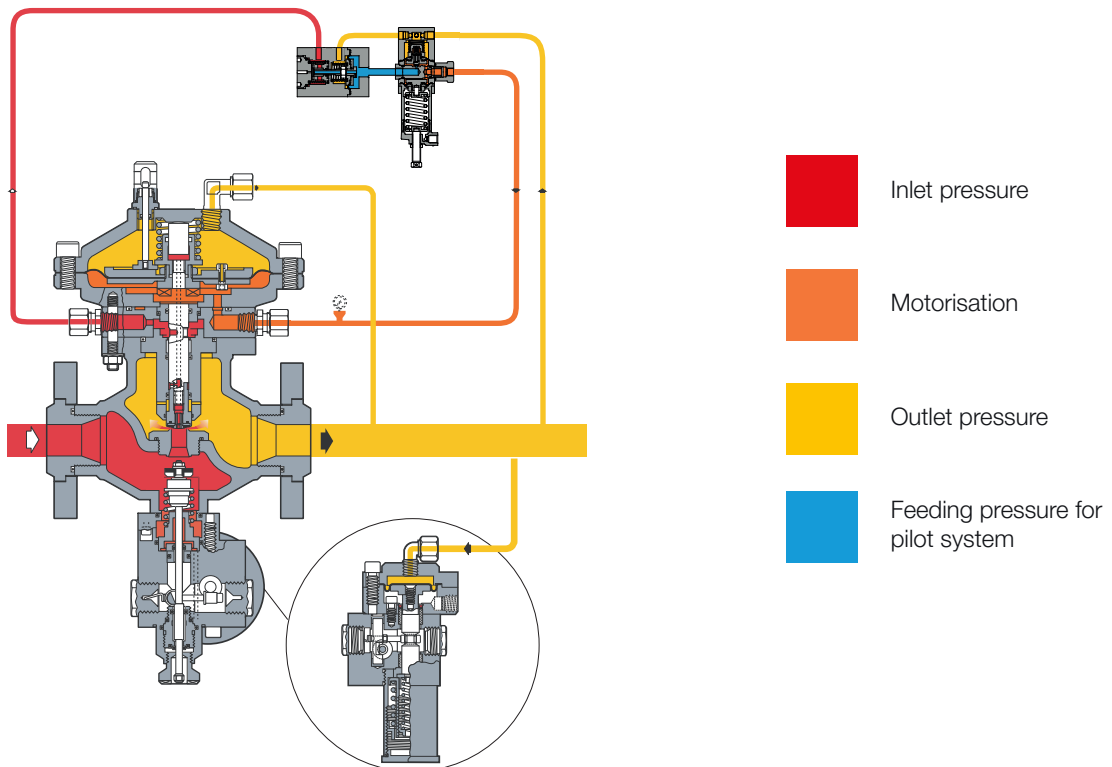


Figure 6 Dixi AP with SB/87

Pressure switch types and ranges					
SSV Type	Model	Operation	Range Wh		Spring Table web link
			MPa	barg	
SB/87	102M	OPSO	0.02 - 0.55	0.2 - 5.5	TT 1331
		UPSO	0.02 - 0.28	0.2 - 2.8	
SB/87	102MH	OPSO	0.02 - 0.55	0.2 - 5.5	TT 1331
		UPSO	0.28 - 0.55	2.8 - 5.5	
SB/87	103M	OPSO	0.2 - 2.2	2 - 22	TT 1331
		UPSO	0.02 - 0.8	0.2 - 8	
SB/87	103MH	OPSO	0.2 - 2.2	2 - 22	TT 1331
		UPSO	0.8 - 1.9	8 - 19	
SB/87	104M	OPSO	1.5 - 4.5	15 - 45	TT 1331
		UPSO	0.16 - 1.8	1.6 - 18	

Table 5 Setting table



Weights and Dimensions

Dixi AP

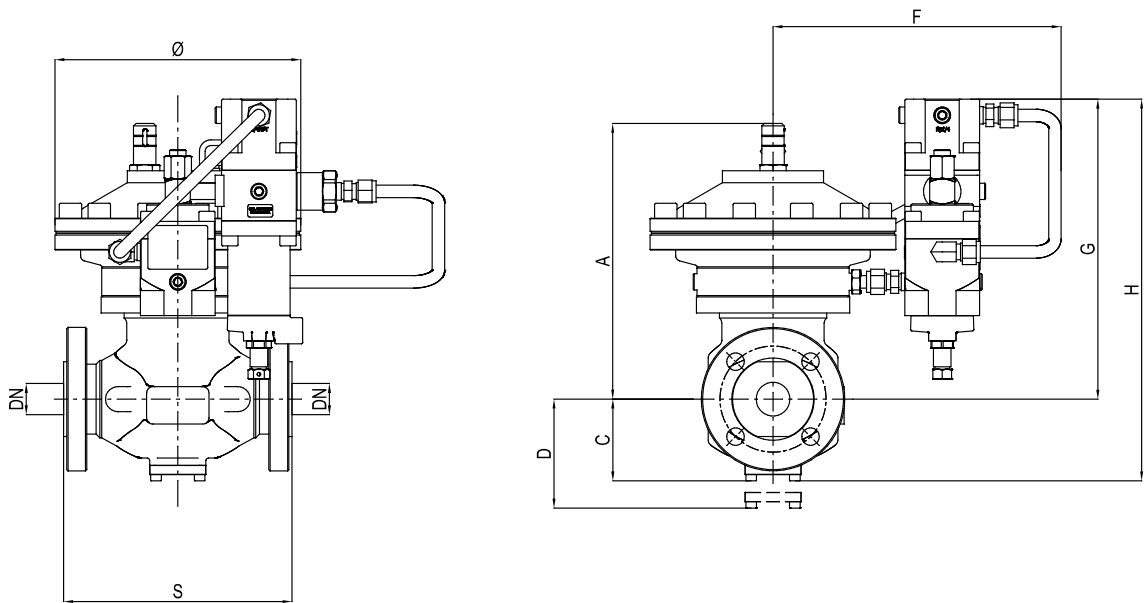


Figure 7 Dixi AP dimensions

Weights and Dimensions (for other connections please contact your closest Pietro Fiorentini representative)	
	[mm] inches
Size (DN)	25 1"
S - ANSI 150	183 7.20"
S - ANSI 300	197 7.76"
S - ANSI 600	210 8.27"
Ø	197 7.76"
A	221 8.70"
C	65 2.56"
D	85 3.35"
F	230 9.06"
G	240 9.45"
H	305 12.01"
Tubing connections	Øe 10 x Øi 8 (on request imperial sizing)

Weight	Kg lbs
ANSI 150-300-600	24 52.91

Table 6 Weights and dimensions

Dixi AP + SB/87

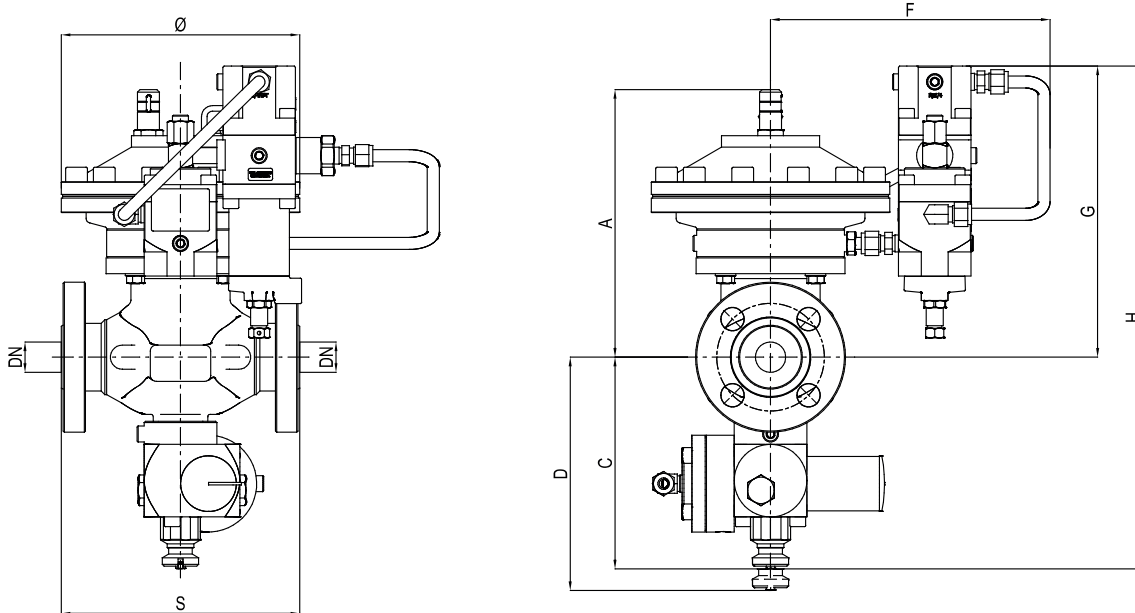


Figure 8 Dixi AP + SB/87 dimensions

Weights and Dimensions (for other connections please contact your closest Pietro Fiorentini representative)	
	[mm] inches
Size (DN)	25 1"
S - ANSI 150	183 7.20"
S - ANSI 300	197 7.76"
S - ANSI 600	210 8.27"
Ø	197 7.76"
A	221 8.70"
C	175 6.89"
D	195 7.68"
F	230 9.06"
G	240 9.45"
H	415 16.34"
I	88 3.46"
L	94 3.70"
Tube connections	Øe 10 x Øi 8 (on request imperial sizing)
Weight	
	Kg lbs
ANSI 150-300-600	30 66.14

Table 7 Weights and dimensions



Sizing and Cg

In general, the choice of a regulator is made based on the calculation of the flow rate determined by the use of formulae using the flow rate coefficients (Cg) and the form factor (K1) as indicated by the EN 334 standard.

Flow rate coefficient	
Nominal size	25
Inches	1"
Cg	159
K1	99.5

Table 8 Flow rate coefficient

For sizing [PRESS HERE](#) or use the QR code:



Note: In case you do not have the proper credentials to access, feel free to contact your closest Pietro Fiorentini representative.

In general, the online sizing considers multiple variables as the regulator is installed in a system, enabling a better and multiperspective approach to the sizing.

For different gases, and for natural gas with a different relative density other than 0.61 (compared to air), the correction coefficients from the following formula shall be applied:

$$F_c = \sqrt{\frac{175,8}{S \times (273,16 + T)}}$$

S = relative density (refer to table 9)
T = gas temperature (°C)

Correction Factor Fc		
Gas Type	Relative Density S	Correction Factor Fc
Air	1.00	0.78
Propane	1.53	0.63
Butane	2.00	0.55
Nitrogen	0.97	0.79
Oxygen	1.14	0.73
Carbon Dioxide	1.52	0.63

Note: the table shows the Fc correction factors valid for Gas, calculated at a temperature of 15°C and at the declared relative density.

Table 9 Correction factor Fc

Flow rate conversion
$\text{Stm}^3/\text{h} \times 0.94795 = \text{Nm}^3/\text{h}$

Nm³/h reference conditions T= 0 °C; P= 1 barg
Stm³/h reference conditions T= 15 °C; P= 1 barg

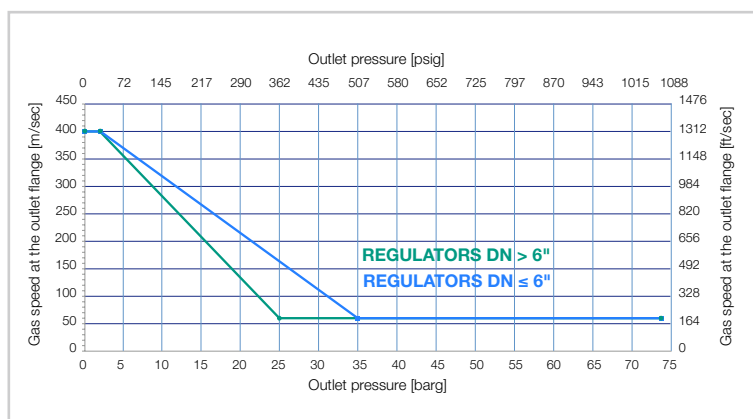
Table 10 Flow rate conversion

CAUTION:

In order to get optimal performance, to avoid premature erosion phenomena and to limit noise emissions, it is recommended to check that the gas speed at the outlet flange does not exceed the values of the graph below. The gas speed at the outlet flange may be calculated by means of the following formula:

$$V = 345.92 \times \frac{Q}{\text{DN}^2} \times \frac{1 - 0.002 \times \text{Pd}}{1 + \text{Pd}}$$

V = gas speed in m/s
Q = gas flow rate in Stm³/h
DN = nominal size of regular in mm
Pd = outlet pressure in barg





Sizing of regulators is usually made based on valve Cg value (table 8).

Flow rates at fully open position and various operating conditions are related by the following formulae where:

Q = flow rate in Stm³/h

Pu = inlet pressure in bar (abs)

Pd = outlet pressure in bar (abs).

- **A** > when the Cg value of the regulator is known, as well as Pu and Pd, the flow rate can be calculated as follows:

- **A-1** in sub critical conditions: (Pu < 2 x Pd)

$$Q = 0.526 \times C_g \times P_u \times \sin \left(K_1 \times \sqrt{\frac{P_u - P_d}{P_u}} \right)$$

- **A-2** in critical conditions: (Pu ≥ 2 x Pd)

$$Q = 0.526 \times C_g \times P_u$$

- **B** > vice versa, when the values of Pu, Pd and Q are known, the Cg value, and hence the regulator size, may be calculated using:

- **B-1** in sub-critical conditions: (Pu < 2xPd)

$$C_g = \frac{Q}{0.526 \times P_u \times \sin \left(K_1 \times \sqrt{\frac{P_u - P_d}{P_u}} \right)}$$

- **B-2** in critical conditions (Pu ≥ 2 x Pd)

$$C_g = \frac{Q}{0.526 \times P_u}$$

NOTE: The sin value is understood to be DEG.

Installations

Here below, at glance, some typical installations by application and geographical location. On demand we are available to supply a more comprehensive experience list and/or references.



Dixi AP + SB/87 | Transmission application in Latin America



Pietro Fiorentini

TB0011ENG



The data are not binding. We reserve the right
to make changes without prior notice.

[dixiap_technicalbrochure_ENG_revA](#)

www.fiorentini.com