

Filters

for low pressure applications



TECHNICAL BROCHURE

Pietro Fiorentini S.p.A.

Via E.Fermi, 8/10 | 36057 Arcugnano, Italy | +39 0444 968 511
sales@fiorentini.com

The data are not binding. We reserve the right
to make changes without prior notice.

filters_technicalbrochure_ENG_revA

www.fiorentini.com

Who we are

We are a global organization specialized in designing and manufacturing technologically advanced solutions for natural gas treatment, transmission and distribution systems.

We are the ideal partner for operators in the Oil & Gas sector, with a business offer that goes across the whole natural gas chain.

We are in constant evolution to meet our customers' highest expectations in terms of quality and reliability.

Our aim is to be a step ahead of the competition, with customized technologies and an after-sale service program undertaken with the highest grade of professionalism.



Pietro Fiorentini advantages



Localised technical support

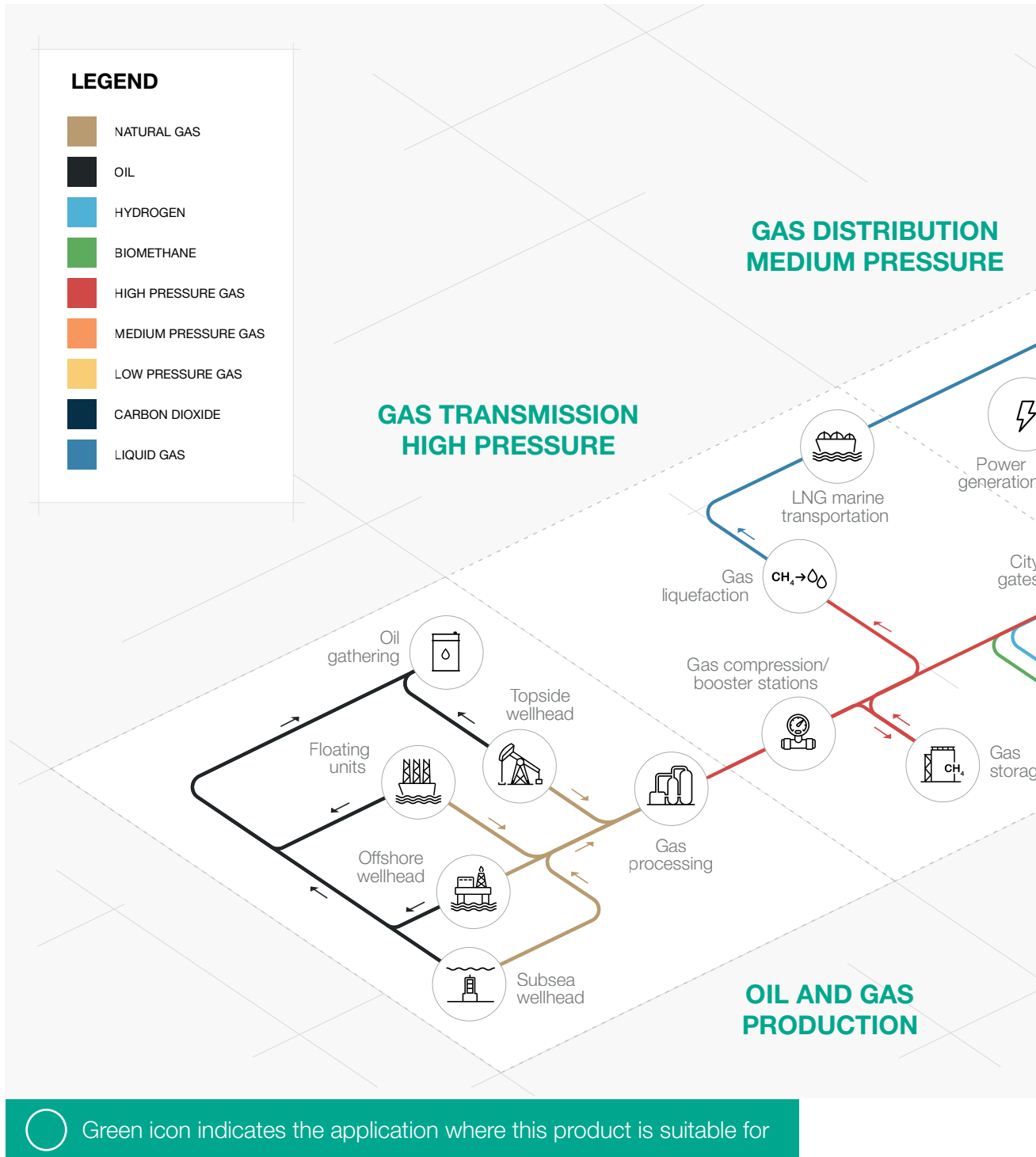


Experience since 1940



We operate in over 100 countries

Area of Application



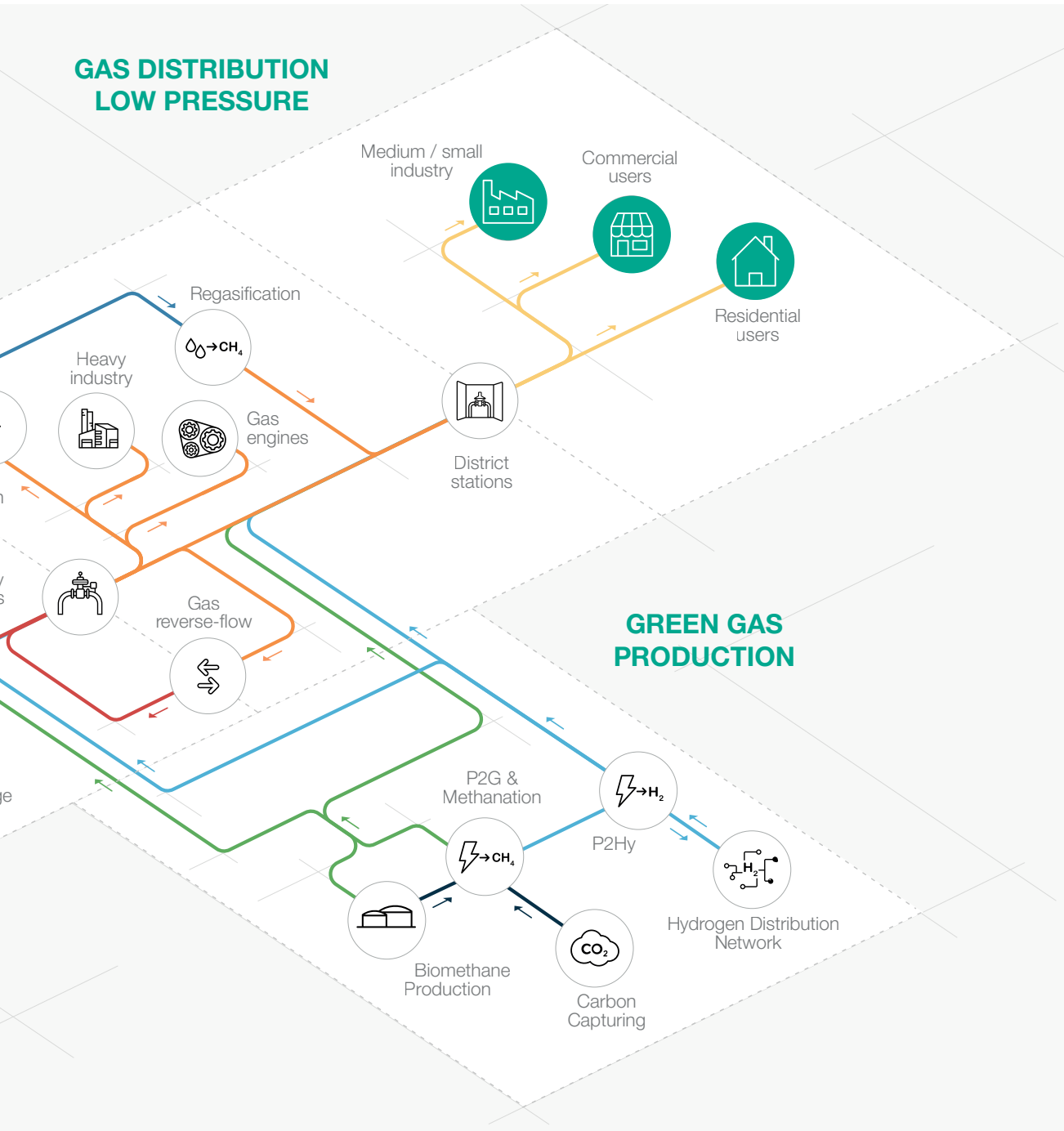


Figure 1 Area of Application Map



Introduction

Thanks to the high filtration capacity of the cartridges and their broad surface, the cartridge filter by Pietro Fiorentini allows separation of both dust and solid particles.

Suitable for use with natural gas, LPG and non-corrosive gases, this device is mainly used for low-pressure gas distribution networks.



Figure 2 Mod. 50000 cartridge filter



Figure 3 Mod. 50000 cartridge filter with clogging indicator



Figure 4 Mod. 10000 gas filter



Figure 5 Mod. 10000 gas filter with flanges

Filters competitive advantages



Compact design



Easy maintenance



Low operation cost



Wide range of applications



Cartridge filters

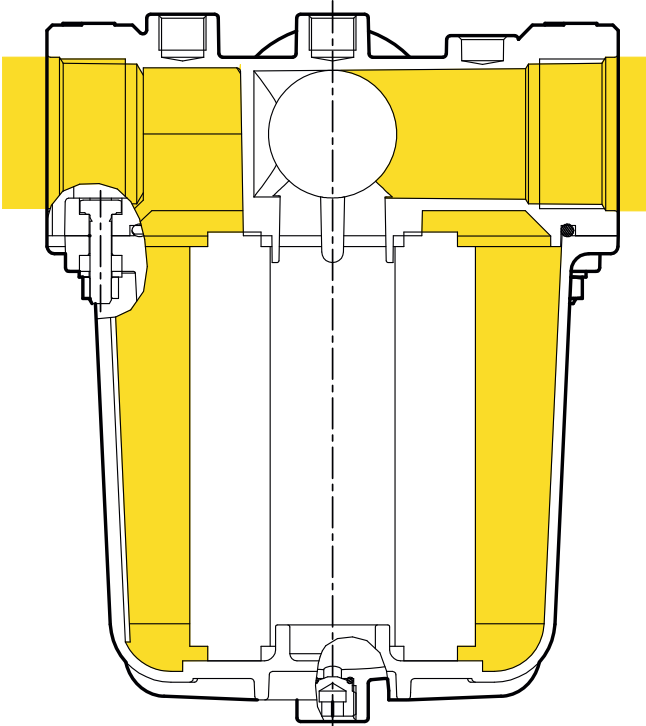


Figure 6 Mod 50000 cartridge filter

Filters

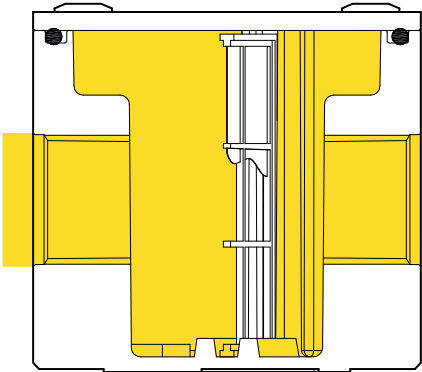


Figure 7 Mod. 10000 gas filter

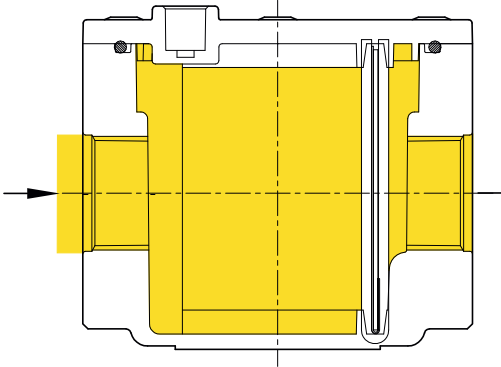
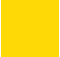


Figure 8 Mod. 10600 gas filter

 Gas pressure



Mod. 50000

cartridge filters

Pietro Fiorentini cartridge filters are designed to comply with DIN 3840 and EN 12516 standards and can be used for all types of natural gas, LPG or non corrosive gases.

These filters are widely used for protection of control devices, pressure regulators, meters and on systems requiring a high degree of filtration.

The high filtration capacity of the cartridges and their broad surface allow separation of both dust and solid particles reducing maintenance times for the equipment installed downstream.

Features

Features	Values
Maximum working pressure	1 MPa 10 bar
Maximum allowable pressure	1 MPa 10 bar
Maximum working temperature	From -20 °C up to +80 °C From -4 °F up to +176 °F
Collecting capacity	Over 12% of total filter capacity with drain on bottom part
Flange connections	EN 1092-4
Threaded connections	UNI-ISO 228/1
Filter cartridge	5 µm cloth cartridge

Table 1 Features

Materials

Part	Material
Body	Aluminium alloy EN AB 46100
Covers	Aluminium alloy vEN AB 46100

REMARK: The materials indicated above refer to the standard models. Different materials can be provided according to specific needs.

Table 2 Materials

Available accessories

- Test point standard
- DP clogging indicator
- Manometer

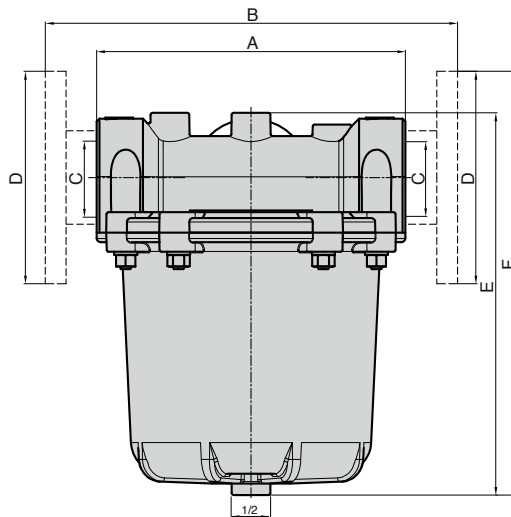


Figure 9 Mod. 50000 cartridge filter

Weight and dimensions

Mod.	Connections	A		B		C	D	E		F		Weights	
		mm	in	mm	in	in	DN	mm	in	mm	in	kg	lbs
50101	1"	160	6.3	-	-	1"	-	195	7.7	-	-	2,2	4.8
50102	1" 1/4	160	6.3	-	-	1" 1/4	-	195	7.7	-	-	2,2	4.8
50103	1" 1/2	160	6.3	-	-	1" 1/2	-	195	7.7	-	-	2,2	4.8
50201	1" 1/2	200	7.9	-	-	1" 1/2	-	258	10.2	-	-	4	8.8
50202	2"	200	7.9	-	-	2"	-	258	10.2	-	-	4	8.8
50101/F	DN 25/S	-	-	262	10.3		DN 25	-	-	215	8.5	4,2	9.2
50102/F	DN 32/S	-	-	253	10.0		DN 32	-	-	228	9.0	5	11.0
50103/F	DN 40/S	-	-	278	10.9		DN 40	-	-	233	9.2	5,8	12.8
50201/F	DN 40/S	-	-	318	12.5		DN 40	-	-	287	11.3	6	13.2
50202/F	DN 50/S	-	-	318	12.5		DN 50	-	-	295	11.6	7,6	16.7

Table 3 Dimensions and weights



Mod. 10000

filters

10000 filters are designed to comply with DIN 3386/3840 and EN 12516 standards and can be used for all types of natural gas, LPG or non corrosive gases.

Thanks to their small size, these compact die-cast aluminium filters are suitable for use in wall mounted boilers, hot water heaters and other domestic or light commercial appliances. The large surface area of the cartridge ensures a high degree of separation of both dust and solid particles, minimizing the maintenance required on all equipment installed downstream the filter.

Features

Features	Values
Maximum working pressure	1 MPa 10 barg
Maximum allowable pressure	1 MPa 10 barg
Maximum working temperature	From -20 °C up to +80 °C From -4 °F up to +176 °F
Collecting capacity	Over 12% of total filter capacity with drain on bottom part
Threaded connections	UNI-ISO 228/1
Filter capacity	50 µm

Table 4 Features

Materials

Part	Material
Body	Aluminium alloy EN AB 46100
Covers	Aluminium alloy EN AB 46100

REMARK: The materials indicated above refer to the standard models. Different materials can be provided according to specific needs.

Table 5 Materials

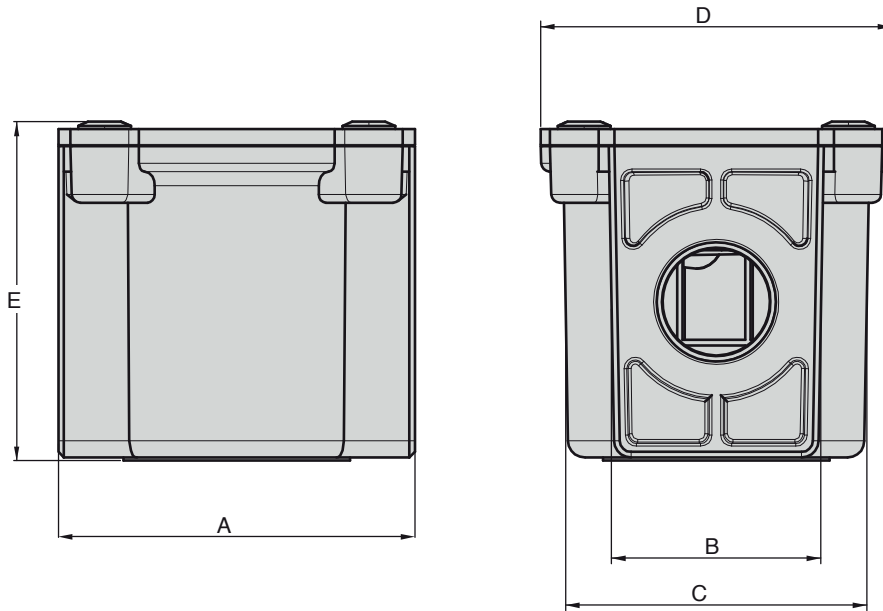


Figure 10 Mod. 10000 filter

Weight and dimensions

Mod.	Connections	A		B		C		D		E		Weight	
		mm	in	mm	in	mm	in	mm	in	mm	in	Kg	Lbs
10003	1/2"	63	2.5	37	1.5	53	2.1	62	2.4	60	2.4	0,25	0.6
10004	3/4"	63	2.5	37	1.5	53	2.1	62	2.4	60	2.4	0,25	0.6

Table 6 Dimensions and weights



Mod. 10600-10600F 10210/F filters

Pietro Fiorentini 106-106/F and 10210/F are gas filters designed to comply with DIN 3386/3840 and EN 12516 standards suitable for all the types of natural gas, LPG and non corrosive gases.

These filters are widely used for protection of control devices, pressure regulators, meters and on systems requiring a high degree of filtration. The high filtration capacity of the cartridges and their broad surface allow separation of both dust and solid particles, thereby reducing maintenance times for the equipment installed downstream.

Features

Features	Values
Maximum working pressure	1 MPa 10 bar
Maximum allowable pressure	1 MPa 10 bar
Maximum working temperature	From -20 °C up to +80 °C From -4 °F up to +176 °F
Collecting capacity	Over 12% of total filter capacity with drain on bottom part
Flange connections	EN 1092-4
Threaded connections	UNI-ISO 7/1
Filter cartridge	50 µm cloth cartridge, 150 µm - 300 µm on request

Table 7 Features

Materials

Part	Material
Body	Aluminium alloy EN AB 46100
Covers	Aluminium alloy EN AB 46100

REMARK: The materials indicated above refer to the standard models. Different materials can be provided according to specific needs.

Table 8 Materials

Available accessories

- Test point standard
- Manometer
- DP clogging indicator

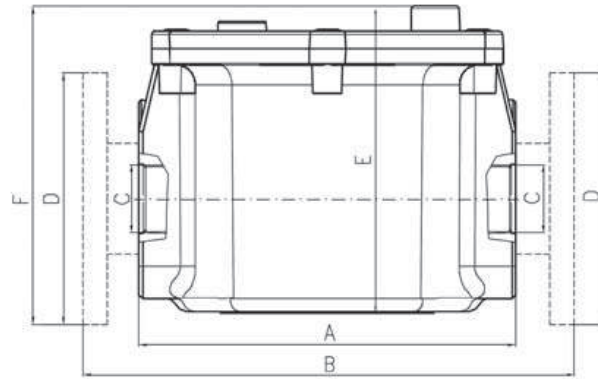


Figure 11 Mod. 106 / 10210 filter

Weight and dimensions

Mod.	Connections	A		B		C	D	E		F		Weights	
		mm	in	mm	in	in	DN	mm	in	mm	in	kg	lbs
10601	1/2"	114	4.5	-	-	1/2"	-	106,5	4.2	-	-	0,9	2.0
10602	3/4"	114	4.5	-	-	3/4"	-	106,5	4.2	-	-	0,9	2.0
10603	1"	114	4.5	-	-	1"	-	106,5	4.2	-	-	0,9	2.0
10604	1" 1/4	150	5.9	-	-	1" 1/4	-	135,5	5.3	-	-	2,6	5.7
10605	1" 1/2	150	5.9	-	-	1" 1/2	-	135,5	5.3	-	-	2,6	5.7
10606	2"	180	7.1	-	-	2"	-	135,5	5.3	-	-	2,6	5.7
10603/F	DN 25/S	-	-	216	8.5	-	DN 25	135,5	5.3	-	-	2,9	6.4
10604/F	DN 32/S	-	-	243	9.6	-	DN 32	135,5	5.3	-	-	4,1	9.0
10605/F	DN 40/S	-	-	269	10.6	-	DN 40	135,5	5.3	-	-	5,2	11.4
10606/F	DN 50/S	-	-	298	11.7	-	DN 50	135,5	5.3	-	-	7,3	16.1
10607	DN 65	-	-	354	13.9	-	DN 65	198,5	7.8	245,5	9.7	8	17.6
10608	DN 80	-	-	354	13.9	-	DN 80	198,5	7.8	245,5	9.7	9,6	21.1
10609	DN 100	-	-	354	13.9	-	DN 100	198,5	7.8	245,5	9.7	11,4	25.1
10210	DN 150	-	-	474	18.7	-	DN 150	322	12.7	-	-	24,2	53.2



Customer Centricity

Pietro Fiorentini is one of the main Italian international companies with high focus on product and service quality.

The main strategy is to create a stable long-term oriented relationship, putting the customer's needs first. Lean management and thinking and customer centricity are used to improve and maintain the highest level of customer experience.



Support

One of Pietro Fiorentini's top priorities is to provide support to the client in all phases of project development, during installation, commissioning and operation. Pietro Fiorentini has developed a highly standardized intervention management system, which helps to facilitate the entire process and effectively archive all the interventions carried out, drawing on valuable information to improve the product and service. Many services are available remotely, avoiding long waiting times or expensive interventions.



Training

Pietro Fiorentini offers training services available for both experienced operators and new users. The training is composed of the theoretical and the practical parts, and is designed, selected and prepared according to the level of use and the customer's need.



Customer Relation Management (CRM)

The centrality of customer is one of the main missions and vision of Pietro Fiorentini. For this reason, Pietro Fiorentini has enhanced the customer relation management system. This enables to track every opportunity and request from Customer in one single point and make free the information flow.



Pietro Fiorentini

TB0111ENG



The data are not binding. We reserve the right
to make changes without prior notice.

filters_technicalbrochure_ENG_revA

www.fiorentini.com